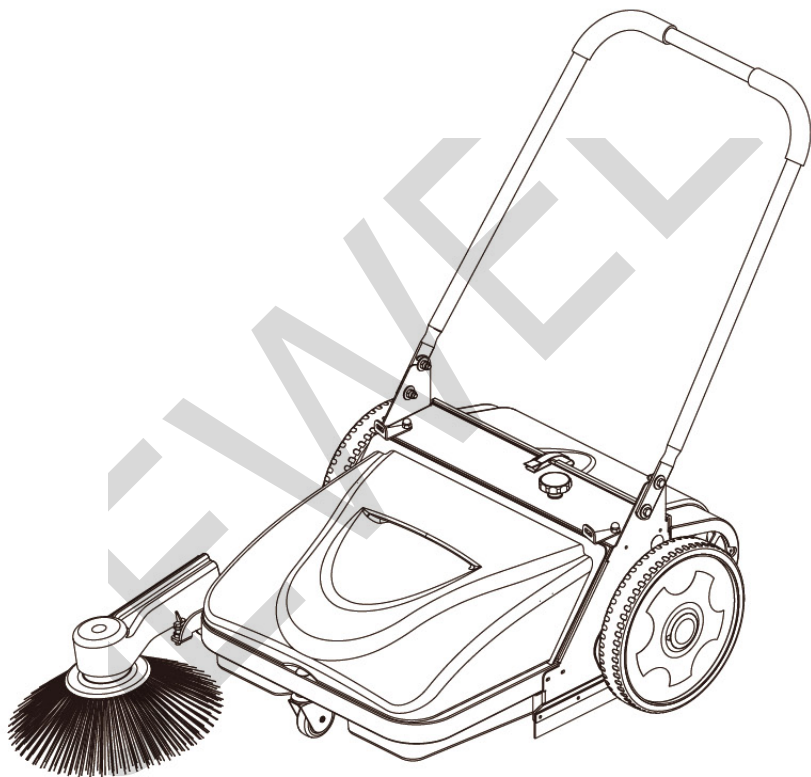


# MANUAL SWEEPER GUIDE

Model 700

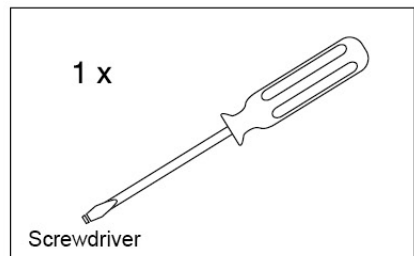
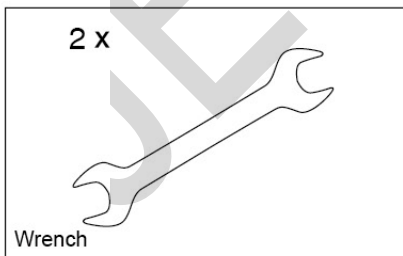
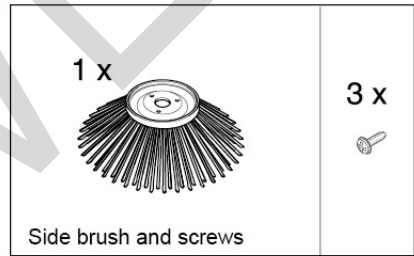
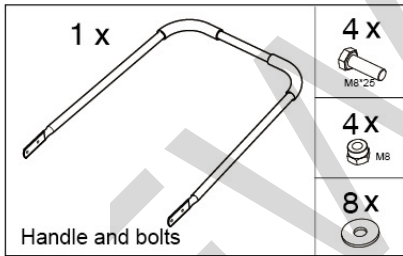


Please make sure you read the instruction manual below and clear the operation before you use this sweeper.

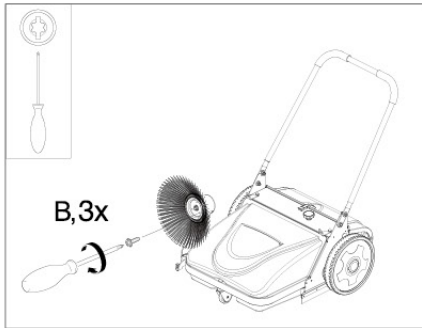
## SPECIFICATION

Working width	650±10mm
Container Capacity	24L+4L
Maximum Theoretical Area Performance	2100m <sup>2</sup> /h
Net weight	25.5kg
Dimension	1330*840*920mm
Dimension (folded)	890x790x385 mm

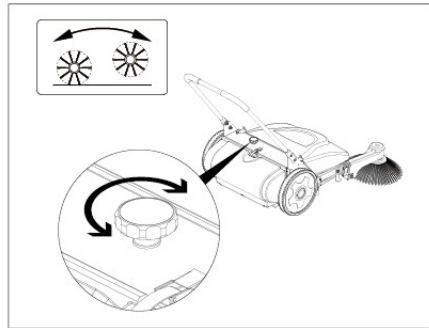
## STANDARD PRODUCTS AND SPARE PARTS IN THE BOX



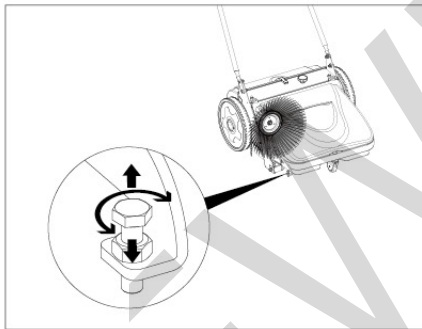
## HOW TO USE



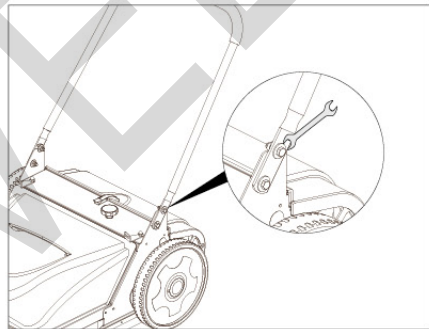
1. Three screws to set up side brush.



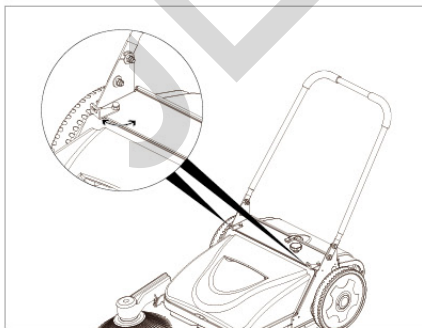
2. Main brush adjusting handle:  
Turn right to lower brush; turn left to lift brush.



3. Side brush height adjusting:  
Adjust side brush bolt.

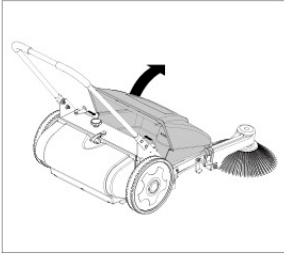


4. Adjust the angle of push rod.

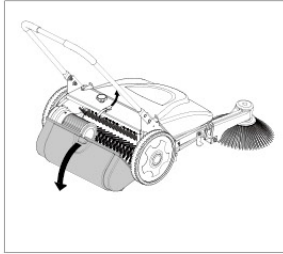


5. Lock container.

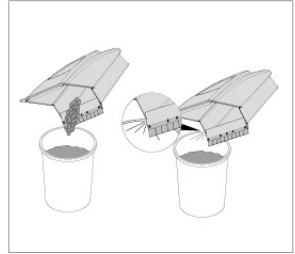
## CONTAINER DETACH AND EMPTY



1. Turn metal knob and lift to unload front container.



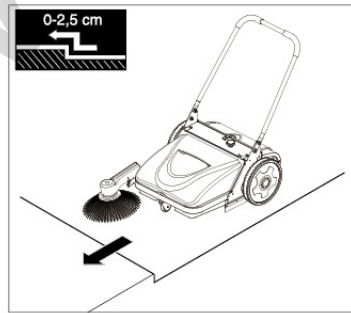
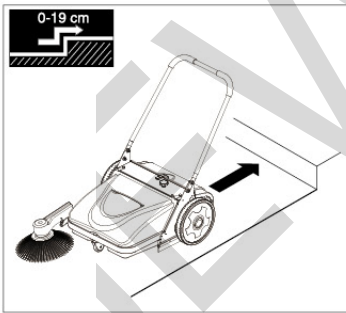
2. Open metal button then pull back to unload back container.



3. Crashing container is forbidden.

## OPERATION

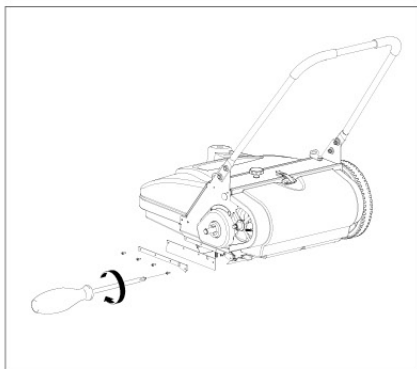
1. Hand push action. Extremely easy to use. Normal walking speed recommended.
2. Ideal for cleaning paths, halls, sidewalks and warehouses quickly and conveniently.
3. Suitable for fine dust and small pieces, like sand, grain, nails and bolts, iron filings, sawdust, papers.
4. The cleaning surface should be competitive flat and height difference  $\leq 2.5\text{CM}$ , Walking the step in the opposite direction  $\leq 19\text{CM}$



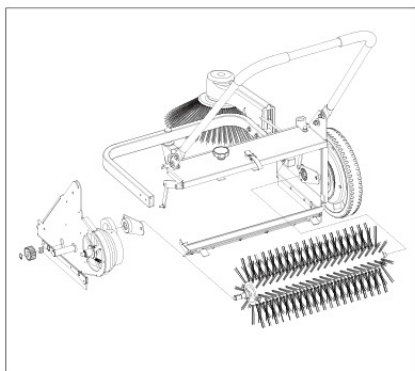
## PROBLEM TREATMENT

Fault	Solution
Unsatisfactory sweeping result	Empty debris container Adjust height of main brush/clean/replace Adjust height of side brush/clean/replace Check/replace the drive belt for side brush

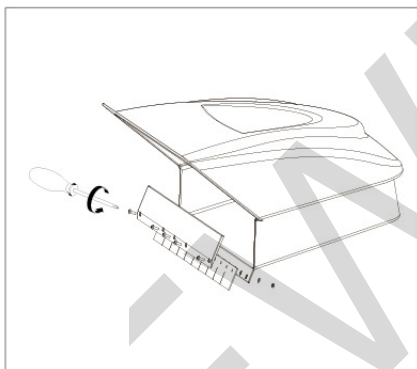
## PARTS INSTALLATION



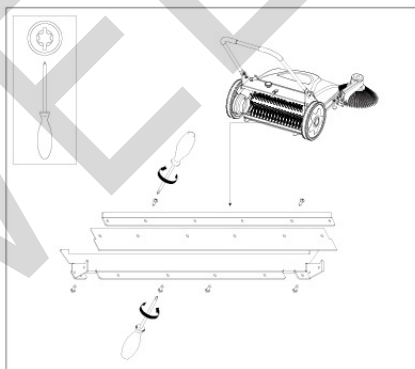
1. Set up the dustproof plates of both sides of main brush.



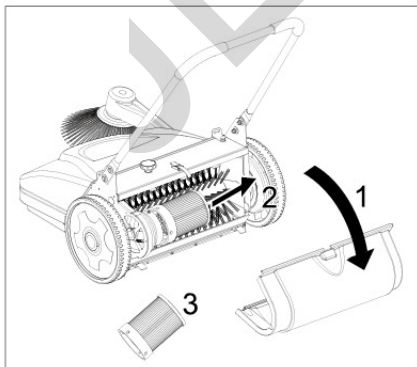
2. Main brush unload installing.



3. Install container seal baffle.



4. Install the dustproof plate on the back fo main brush.



5. Clean filter in time.

SEVEN